



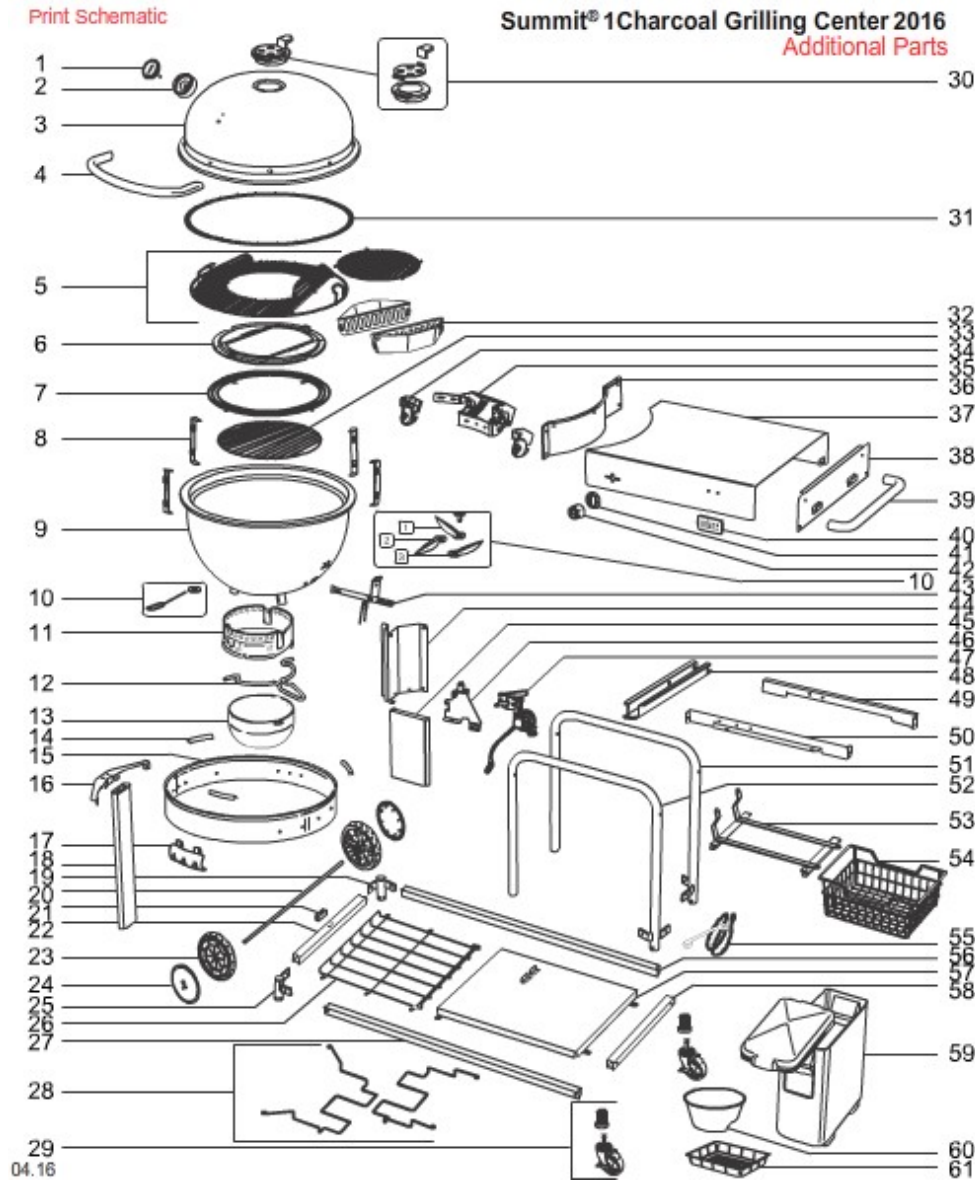
SCHEMATICS

CUSTOMER SERVICE
1-800-446-1071

Export (general) / Charcoal / Summit Charcoal

[VIEW ALL](#)

MODEL #: 18501004 DESCRIPTION: SUMMIT CHARCOAL GRILL CENTER BLK (2016) (EU)



| SEQ | DESCRIPTION | PART# |
|-----|---|-------|
| A | Brochure, Gourmet Barbecue System | 56232 |
| A | Literature kit, Summit Charcoal Grill Center | 44083 |
| W | Hardware kit, Summit Charcoal Grill Center, '16 | 73133 |
| W | Hardware, plug/wingnut/magnet | 65887 |
| W | Hardware kit, cart | 65892 |

| | | |
|----|--|-------|
| W | Hardware, hinge covers/lok | 65821 |
| 1 | Thermometer | 65828 |
| 2 | Bezel for thermometer, qty. 1 | 65827 |
| 3 | Lid assembly, 24", black | 65824 |
| 4 | Handle for lid | 65826 |
| 5 | Grate insert for Gourmet Barbecue System | 65812 |
| 5 | Cooking grate GBS set, 24" | 65865 |
| 6 | Diffuser plate assembly | 65814 |
| 7 | Middle grate/diffuser support | 65816 |
| 8 | Grill straps, set of 4 | 65833 |
| 9 | Bowl assembly, Summit Charcoal, '16 | 65832 |
| 10 | One-Touch cleaning kit, 22" | 90720 |
| 11 | Ash catcher ring | 65818 |
| 11 | Ash catcher assembly, black | 65819 |
| 12 | Ash catcher assembly, black | 65819 |
| 12 | 22.5" Ash catcher handle '15 | 65195 |
| 13 | Ash catcher bowl | 65196 |
| 13 | Ash catcher assembly, black | 65819 |
| 14 | Spacer, silicone | 65817 |
| 15 | Mounting ring for bowl | 65843 |
| 16 | Ring support bracket | 65844 |
| 17 | Tool holder | 65879 |
| 18 | Vertical tube | 65842 |
| 19 | Wheel mount bracket, Summit Charcoal '16 | 65852 |
| 20 | Axle for cart | 65853 |
| 21 | Lower vertical bracket | 65866 |
| 22 | LHS bottom frame connector | 65848 |
| 23 | Wheel w/cover, 8" | 65854 |
| 24 | Wheel inserts, 8", gray, qty 2 | 65881 |

| | | |
|----|---|----------|
| 25 | Hardware kit, wheel bracket | 65890 |
| 25 | Front wheel mount bracket | 65851 |
| 26 | RHS wire bottom rack | 65845 |
| 27 | Front bottom rail | 65838 |
| 28 | Diffuser holder | 65813 |
| 29 | Caster kit, Summit Charcoal | 65839 |
| 29 | Caster insert, Summit Charcoal, '16 | 66695 |
| 30 | Damper handle, black | 65829 |
| 30 | Damper flip top | 65831 |
| 30 | Damper assembly, Summit Charcoal | 65830 |
| 31 | Gasket, lid/bowl, fiberglass | 65825 |
| 32 | Char-Basket assembly (qty. 1) | 62423 |
| 33 | Lower charcoal grate | 65815 |
| 34 | Hinge covers, left/right, black | 65875 |
| 35 | Hinge assembly, lid/bowl | 65849 |
| 36 | LHS table panel, black | 65862 |
| 37 | Hardware kit, table | 65891 |
| 37 | Table for Summit Charcoal | 65858 |
| 37 | Domed label, Summit Charcoal | 58937 |
| 38 | RHS table panel, black | 65860 |
| 39 | Handle for cart | 65868 |
| 40 | Weber logo | 91361 |
| 41 | Small bezel w/fasteners, Summit 470/670 | 70883 |
| 41 | Hardware for bezels/control panel | 88208 |
| 42 | Sear knob assembly, Summit '11, export | 30134602 |
| 43 | Hardware kit, burner/igniter | 65886 |
| 43 | Burner assembly, Summit Charcoal | 65834 |
| 44 | Heat shield, tank compartment | 65855 |
| 45 | Door, tank compartment | 65861 |

| | | |
|----|---|-------|
| 45 | Hardware kit, Summit Charcoal door | 65910 |
| 46 | Regulator mounting bracket | 65857 |
| 47 | Hardware kit, valve/regulator | 65888 |
| 47 | Valve and regulator assembly, Summit Charcoal Grilling Center, EU | 66177 |
| 48 | LHS shelf bracket | 65859 |
| 49 | Rear table mount bracket | 65840 |
| 50 | Front table mount bracket | 65837 |
| 51 | Rear frame, black | 65836 |
| 52 | Front frame assembly | 65835 |
| 53 | Hanger, wire basket assembly | 65863 |
| 54 | Basket, wire assembly | 65850 |
| 55 | Match holder | 81544 |
| 56 | Rear bottom rail | 65841 |
| 57 | Bottom panel, black, EU | 65993 |
| 58 | RHS bottom frame connector | 65847 |
| 59 | Charcoal bin | 65820 |
| 60 | Measuring cup, black | 80664 |
| 61 | Large drip pan, single | 93100 |

81 Items Found

[SCROLL TO TOP](#)

[View All](#)